

7" O.D.  
Expendable Casing Gun

Titan Specialties, Ltd.  
*Gun Configurations for:*  
 7" O.D. Expendable Casing Gun

SPF/ PHASING	4	5	6	7	8	9	10	12	13	15	18	21
0°												
5°												
15°												
30°												
45°												
60°								X				
75°												
90°												
105°												
112.5°												
120°												
135°												
140°												
150°												
180°												

7" O.D. EXPENDABLE CASING GUN ASSEMBLIES

**TCP Assemblies (0407 Series)**

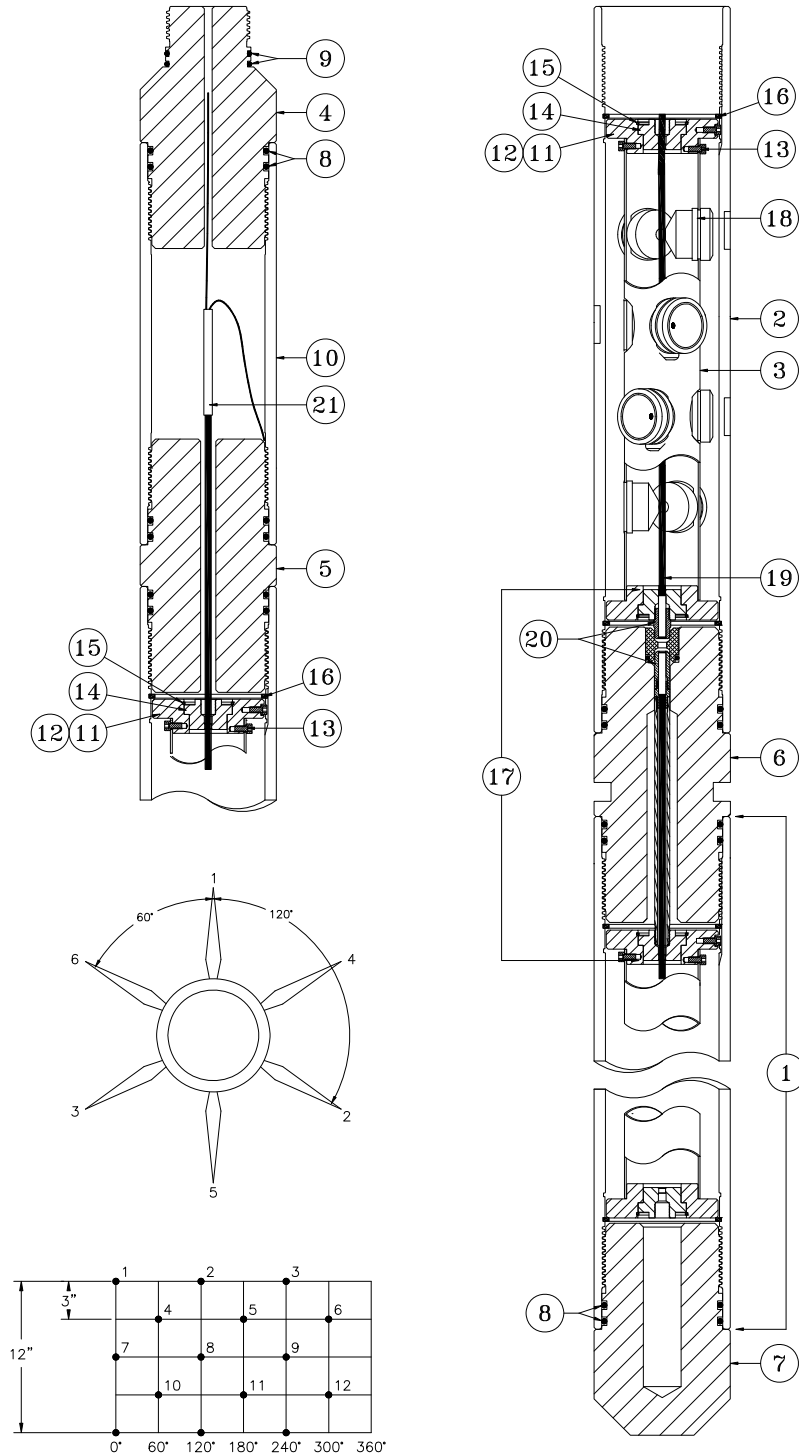
---

<b>12 SPF</b>	<b>Chg. #</b>	<b>Type</b>	<b>Gram Wt.</b>
	EXP-4039-328	DP	38.5g
	EXP-4039-328T	SDP	38.5g
	10-7055-303	CJDP	55.0g
	10-7055-313	CJBH	55.0g

SDP = Deep Penetrator    CJBH = Cluster Jet Big Hole    CJDP = Cluster Jet Deep Penetrator

**Other shot density and phasings can be manufactured upon request.  
Call Titan Sales @ 800-692-4486 or 806-665-3781 for your  
special needs in Perforating Hardware.**

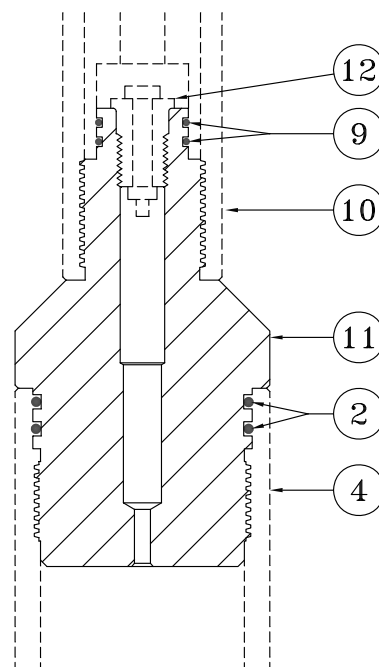
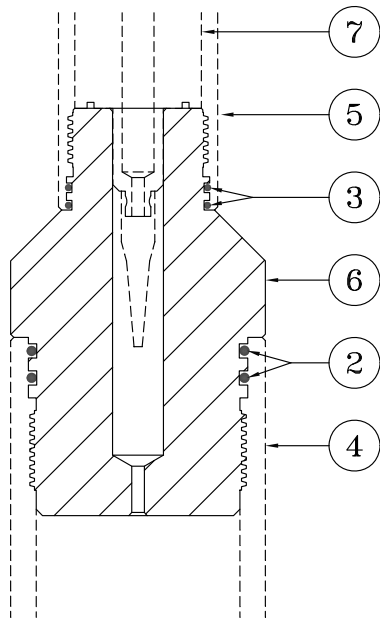
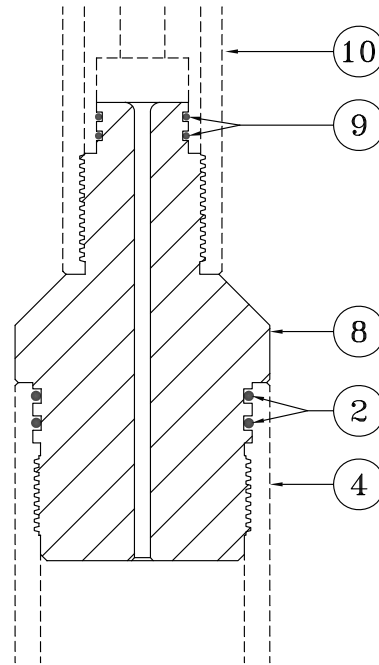
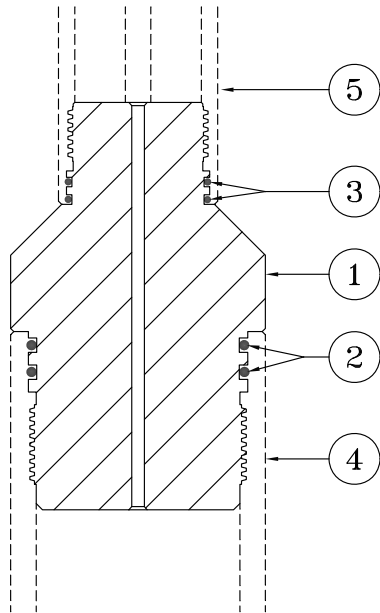
### 7" O.D. EXPENDABLE GUN ASSEMBLY (TCP) 12 SPF 60° CLUSTER



7" O.D. EXPENDABLE GUN ASSEMBLY (TCP)  
0407-K00-126

ITEM	PART NUMBER	DESCRIPTION
1	0407-K04-126	Gun Assembly; 4 ft. - 12 SPF 60° Cluster Jet; 36 shot (Items 2, 3, 11, 16 & 17)
	0407-K07-126	Gun Assembly; 7 ft. - 12 SPF 60° Cluster Jet; 72 shot (Items 2, 3, 11, 16 & 17)
	0407-K11-126	Gun Assembly; 11 ft. - 12 SPF 60° Cluster Jet; 120 shot (Items 2, 3, 11, 16 & 17)
	0407-K21-126	Gun Assembly; 21 ft. - 12 SPF 60° Cluster Jet; 240 shot (Items 2, 3, 11, 16 & 17)
2	0338-104-126	Carrier; 4 ft. - 12 SPF 60° Cluster Jet; 36 shot
	0338-107-126	Carrier; 7 ft. - 12 SPF 60° Cluster Jet; 72 shot
	0338-111-126	Carrier; 11 ft. - 12 SPF 60° Cluster Jet; 120 shot
	0338-121-126	Carrier; 21 ft. - 12 SPF 60° Cluster Jet; 240 shot
3	0338-604-126	Charge Tube; 4 ft. - 12 SPF 60° Cluster Jet; 36 shot
	0338-607-126	Charge Tube; 7 ft. - 12 SPF 60° Cluster Jet; 72 shot
	0338-611-126	Charge Tube; 11 ft. - 12 SPF 60° Cluster Jet; 120 shot
	0338-621-126	Charge Tube; 21 ft. - 12 SPF 60° Cluster Jet; 240 shot
4	0338-000-001	Top Sub; "GO" Style (See pages 13.6 - 13.7 for other Tops Subs available)
5	0338-000-002	Tandem Sub
6	0407-000-032	TCP Grooved Tandem Sub
7	0338-000-003	Gun Bottom
	0338-000-013	Gun Bottom; Extra length
8	0111-360-090	"O" Ring
9	0111-230-090	"O" Ring
10	0338-012-000	Blast Sleeve
11	0407-600-030	Charge Tube End Fitting Assembly (Items 12 thru 13) (2 req)
12	0407-600-031	Charge Tube End Fitting Body
13	0327-000-003	End Fitting Screw (3 req)
14	0403-500-041	Booster Transfer Adapter Plug
15	0222-200-037	Snap Ring
16	0407-200-037	Snap Ring (2 req)
17	0405-500-140	Booster Hardware Kit (See pages 13.8 - 13.9 for details)
18		Charge (See page 13.3 for charges available)
19		Detonating Cord (80 Grain Round)
20		Bi-Directional Booster
21		Blasting Cap
	0407-000-220	Gun Box Protector (See Page 13.10 for details)
	0407-000-230	Gun Pin Protector (See Page 13.10 for details)
Service Tools:		
	9200-BDH-156	"Ball Driver" Hex Wrench; 5/32" (For Item 13)
	9200-SRP-0J4	Snap Ring Pliers (For Item 16)
	9200-SRP-392	Snap Ring Pliers (For Item 15)

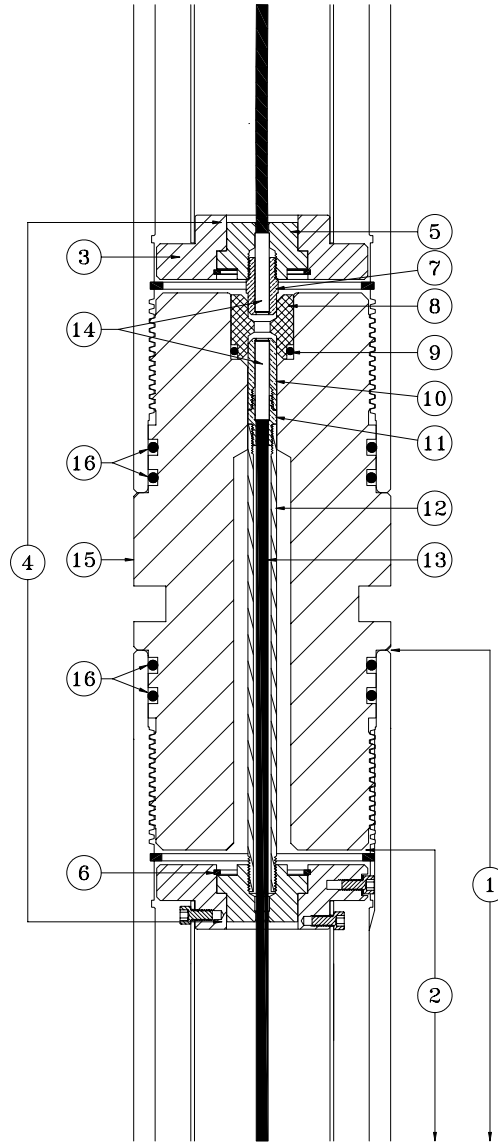
VARIOUS TOP SUBS FOR 3 1/8" thru 7" O.D.  
EXPENDABLE GUNS



VARIOUS TOP SUBS FOR 3 1/8" thru 7" O.D.  
EXPENDABLE GUNS

ITEM	PART NUMBER	DESCRIPTION
1	0363-000-001	3 1/8" Top Sub; "GO" Style
	0365-000-001	3 3/8" Top Sub; "GO" Style
	0350-000-001	3 1/2" Top Sub; "GO" Style
	0375-000-001	3 3/4" Top Sub; "GO" Style
	0400-000-001	4" Top Sub; "GO" Style
	0445-000-001	4 1/2" Top Sub; "GO" Style
	0336-000-001	5" Top Sub; "GO" Style
	0337-000-001	6" Top Sub; "GO" Style
	0338-000-001	7" Top Sub; "GO" Style
2		"O" Rings for 3 1/8" thru 7" Subs (2 req)
3	0111-230-090	"O" Ring for "GO" Style Top (2 req)
4		3 1/8" thru 7" Carriers
5	0256-000-040	"GO" Style Quick-Change Assembly
6	0363-000-007	3 1/8" Top Sub; "GO" Style (Accepts Firing Head Seal Block)
	0365-000-007	3 3/8" Top Sub; "GO" Style (Accepts Firing Head Seal Block)
	0350-000-007	3 1/2" Top Sub; "GO" Style (Accepts Firing Head Seal Block)
	0375-000-007	3 3/4" Top Sub; "GO" Style (Accepts Firing Head Seal Block)
	0400-000-007	4" Top Sub; "GO" Style (Accepts Firing Head Seal Block)
	0445-000-007	4 1/2" Top Sub; "GO" Style (Accepts Firing Head Seal Block)
	0336-000-007	5" Top Sub; "GO" Style (Accepts Firing Head Seal Block)
	0337-000-007	6" Top Sub; "GO" Style (Accepts Firing Head Seal Block)
	0338-000-007	7" Top Sub; "GO" Style (Accepts Firing Head Seal Block)
7	0256-000-020	Firing Head Seal Block Assembly
8	0363-000-004	3 1/8" Top Sub; "SIE" & "HES" Style
	0365-000-004	3 3/8" Top Sub; "SIE" & "HES" Style
	0350-000-004	3 1/2" Top Sub; "SIE" & "HES" Style
	0375-000-004	3 3/4" Top Sub; "SIE" & "HES" Style
	0400-000-004	4" Top Sub; "SIE" & "HES" Style
	0445-000-004	4 1/2" Top Sub; "SIE" & "HES" Style
	0336-000-004	5" Top Sub; "SIE" & "HES" Style
	0337-000-004	6" Top Sub; "SIE" & "HES" Style
	0338-000-004	7" Top Sub; "SIE" & "HES" Style
9	0111-222-090	"O" Ring (2 req)
10	0260-000-000	3 1/8" O.D. Crossover Quick-Change Assembly
	0261-000-000	3 1/8" O.D. "SIE" Style Quick-Change Assembly
	0261-000-120	3 1/8" O.D. "HES" Style Quick-Change Assembly
11	0363-000-084	3 1/8" Top Sub; "SIE" & "HES" Style (Accepts Blast Plug Assemblies)
	0365-000-084	3 3/8" Top Sub; "SIE" & "HES" Style (Accepts Blast Plug Assemblies)
	0350-000-084	3 1/2" Top Sub; "SIE" & "HES" Style (Accepts Blast Plug Assemblies)
	0375-000-084	3 3/4" Top Sub; "SIE" & "HES" Style (Accepts Blast Plug Assemblies)
	0400-000-084	4" Top Sub; "SIE" & "HES" Style (Accepts Blast Plug Assemblies)
	0445-000-084	4 1/2" Top Sub; "SIE" & "HES" Style (Accepts Blast Plug Assemblies)
	0336-000-084	5" Top Sub; "SIE" & "HES" Style (Accepts Blast Plug Assemblies)
	0337-000-084	6" Top Sub; "SIE" & "HES" Style (Accepts Blast Plug Assemblies)
	0338-000-084	7" Top Sub; "SIE" & "HES" Style (Accepts Blast Plug Assemblies)
12		Blast Plug Assemblies (See pages 3.14 – 3.15 for details)
	8800-6A2-75B	Thread Protector; "GO" Style Top Subs (Items 1 & 6)
	8800-6A2-J3B	Thread Protector; "SIE" & "HES" Style Top Subs (Items 8 & 11)
		(Other Style Top Subs can be manufactured upon request.)

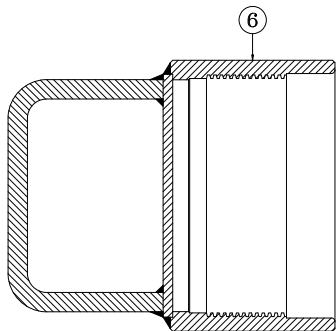
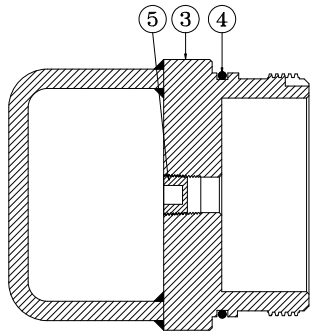
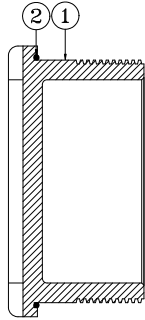
**TANDEM BOOSTER HARDWARE KITS  
TCP GUN SYSTEMS**



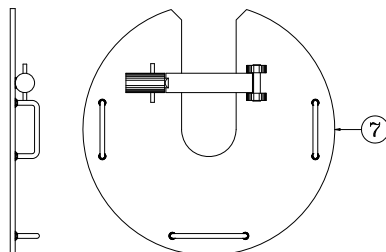
**TANDEM BOOSTER HARDWARE KITS  
TCP GUN SYSTEMS**

ITEM	PART NUMBER	DESCRIPTION
1		Carrier Assembly
2		Charge Tube Assembly
3		End Fitting
4	0403-500-140	3 1/8" & 3 3/8" Booster Hardware Kit
	0475-500-140	3 3/4" Booster Hardware Kit
	0404-500-140	2 3/4" & 4" Booster Hardware Kit
	0414-500-140	4 1/2" Booster Hardware Kit
	0405-500-140	3 1/2", 5", 6", & 7" Booster Hardware Kit (Consists of Items 5 thru 12)
5	0403-500-041	TCP Adapter Plug (2 req.)
6	0222-200-037	Snap Ring (2 req.)
7	0403-500-043	Lower Booster Retainer
8	0403-200-051	Booster Centralizer
9	0111-211-070	"O" Ring
10	0403-500-145	Retainer Cap
11	0403-500-144	Upper Booster Retainer
12	0403-500-047	Transfer Tube (For 3 1/8" & 3 3/8" Assemblies)
	0403-500-048	Transfer Tube (For 2 3/4" & 4" Assemblies)
	0403-500-049	Transfer Tube (For 4 1/2" Assembly)
	0403-500-050	Transfer Tube (For 3 1/2", 5", 6" & 7" Assemblies)
	0403-500-051	Transfer Tube (For 3 3/4" Assembly)
13		Detonating Cord (80 Grain Round)
14		Booster; (300 mg, R.D.X.) Booster; (600 mg, H.M.X.) Booster; (600 mg, P.Y.X.)
15	0462-000-032	2 3/4" Grooved Tandem Connector Sub
	0402-000-032	3 1/8" Grooved Tandem Connector Sub
	0403-000-032	3 3/8" Grooved Tandem Connector Sub
	0450-000-032	3 1/2" Grooved Tandem Connector Sub
	0475-000-032	3 3/4" Grooved Tandem Connector Sub
	0404-000-032	4" Grooved Tandem Connector Sub
	0414-000-032	4 1/2" Grooved Tandem Connector Sub
	0405-000-032	5" Grooved Tandem Connector Sub
	0406-000-032	6" Grooved Tandem Connector Sub
	0407-000-032	7" Grooved Tandem Connector Sub
16	0111-227-090	"O" Ring (For 2 3/4" Subs)
	0111-230-090	"O" Ring (For 3 1/8" Subs)
	0111-231-090	"O" Ring (For 3 3/8" Subs)
	0111-334-090	"O" Ring (For 3 1/2" Subs)
	0111-337-090	"O" Ring (For 3 3/4" Subs)
	0111-236-090	"O" Ring (For 4" Subs)
	0111-342-090	"O" Ring (For 4 1/2" Subs)
	0111-344-090	"O" Ring (For 5" Subs)
	0111-352-090	"O" Ring (For 6" Subs)
	0111-360-090	"O" Ring (For 7" Subs)

## 7" EXPENDABLE GUN THREAD PROTECTORS AND TCP TANDEM SUPPORT PLATE



ITEM	PART NUMBER	DESCRIPTION
1	0338-000-220	Gun Box Protector
2	0111-259-070	"O" Ring (1 req.)
3	0407-000-220	Gun Box Protector
4	0111-360-070	"O" Ring (1 req.)
5	8801-00P-68V	3/4" NPT Melt Plug
6	0407-000-230	Gun Pin Protector



ITEM	PART NUMBER	DESCRIPTION
7	0407-000-090	7" TCP Tandem Support Plate